

Job Name:	Date:
System Reference:	



Indoor Unit: MFZ-KA12NA



Wireless Remote Controller

GENERAL FEATURES

- Floor-standing unit
- Standard Hybrid Catechin Prefilter and Anti-allergy Enzyme
- Quiet operation
- Auto fan speed control: Low, Medium, High, and Super High
- Bottom supply outlet in heat mode
- Hand-held Wireless Remote Controller
- Indoor unit powered from outdoor unit using A-Control
- Auto restart following a power outage
- Unit can be recessed mounted into wall
- Limited warranty: five years parts and seven years compressors

ACCESSORIES

Indoor Unit

- Condensate Pump (BlueDiamond X87-711/721; 115/230V)
- Condensate Pump (Sauermann SI30-115/230; 115/230V)
- Anti-Allergy Enzyme Filter (MAC-415FT-E)
- Drain Pan Level Sensor (DPLS2)

Controller Options

- Wireless Controller (MHK1)
- Wired Remote Controller PAR-31MAA (Requires MAC-333IF-E)
- Wireless Interface for kumo cloud™ (PAC-WHS01WF-E)
- Thermostat Interface (PAC-US444CN-1)

SPECIFICATIONS

Cooling Capacity* 12,000 Btu/h
Heating Capacity* 14,400 Btu/h

* Rating Conditions per AHRI Standard

Cooling | Indoor: 80° F (27° C) DB / 67° F (19° C) WB
 Cooling | Outdoor: 95° F (35° C) DB / 75° F (24° C) WB
 Heating at 47° F | Indoor: 70° F (21° C) DB / 60° F (16° C) WB
 Heating at 47° F | Outdoor: 47° F (8° C) DB / 43° F (6° C) WB

For data on specific indoor units (all ducted, all non-ducted, and both ducted and non-ducted) combinations, see the MXZ Technical and Service Manual.

Applications should be restricted to comfort cooling only; equipment cooling applications are not recommended for low ambient temperature conditions.

Electrical Requirements

Power Supply 208 / 230V, 1-Phase, 60 Hz
 MCA 1 A

Voltage

Indoor - Outdoor S1-S2 AC 208 / 230V
 Indoor - Outdoor S2-S3 +/- 24VDC

Airflow (Lo - Med - Hi - Super Hi)

Cooling 177 - 215 - 261 - 321 Dry CFM
 170 - 207 - 252 - 309 Wet CFM
 Heating 184 - 201 - 219 - 335 CFM

Sound Pressure Level (Lo - Med - Hi - Super Hi)

Cooling 26 - 31 - 36 - 41 dB(A)
 Heating 28 - 31 - 36 - 41 dB(A)

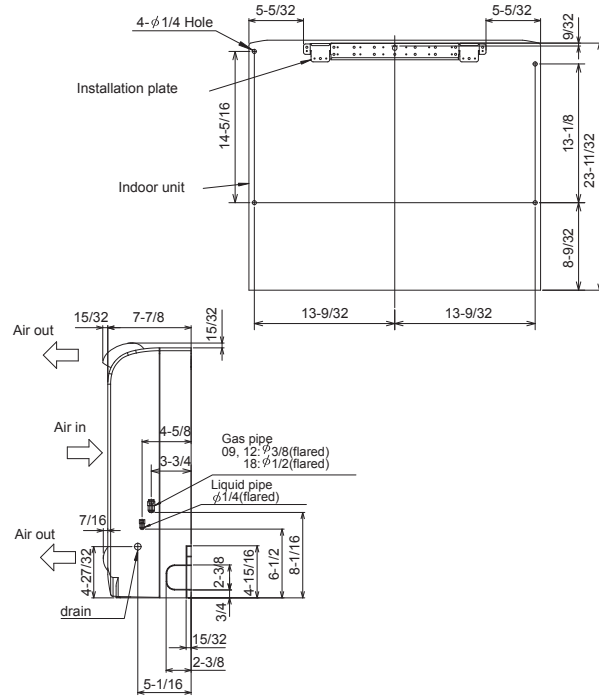
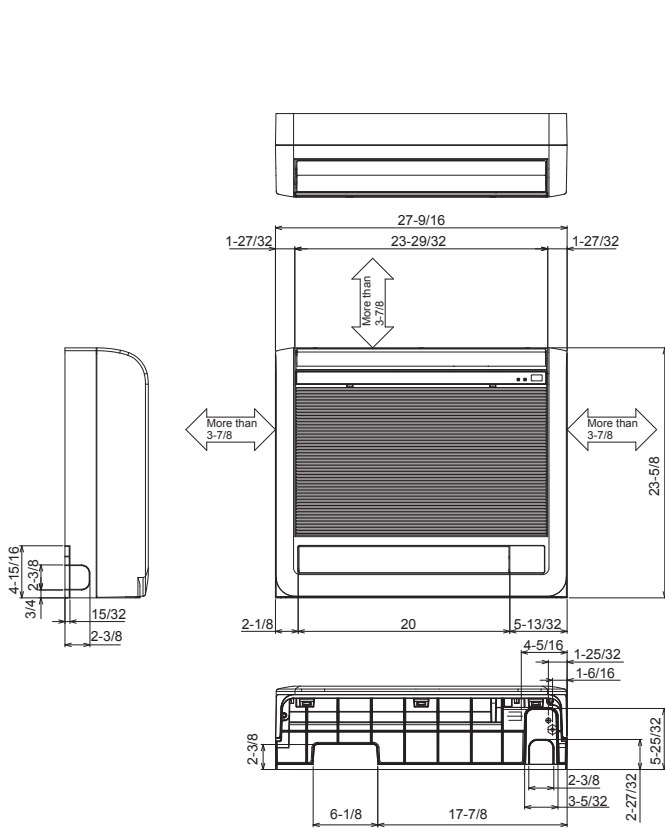
DIMENSIONS	UNIT INCHES / MM
W	27-9/16 / 700
D	7-7/8 / 200
H	23-5/8 / 600

Weight 32 lbs. / 15 kg
 External Finish Munsell No. 1.0Y 9.2/0.2
 Field Drainpipe Size O.D. 5/8" / 15.88 mm

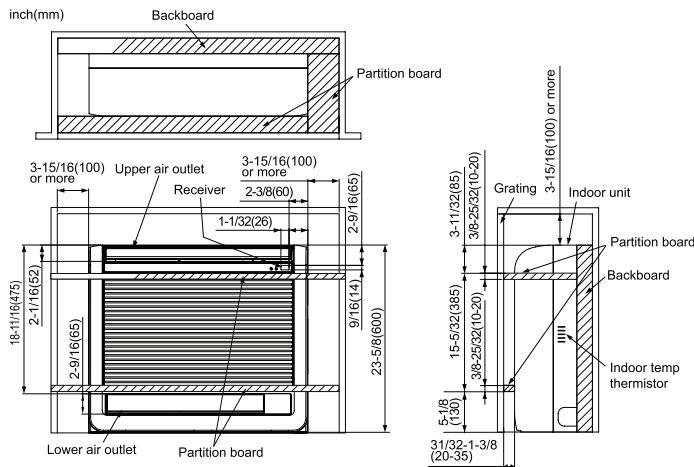
Refrigerant Type R410A
 Refrigerant Pipe Size O.D.
 Gas Side 3/8" / 9.52 mm
 Liquid Side 1/4" / 6.35 mm
 Connection Method Flared

DIMENSIONS: MFZ-KA12NA

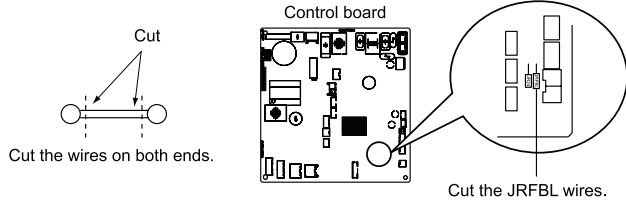
Unit: inch



EMBEDDING THE INDOOR UNIT IN A WALL



EMBEDDED INDOOR UNIT SETTING (MUST BE PERFORMED)



COOLING & HEATING

1340 Satellite Boulevard, Suwanee, GA 30024
Toll Free: 800-433-4822 www.mehvac.com

FORM# MFZ-KA12NA FOR MXZ MULTI-ZONE SYSTEMS - 201603

Specifications are subject to change without notice.



© 2016 Mitsubishi Electric US, Inc.