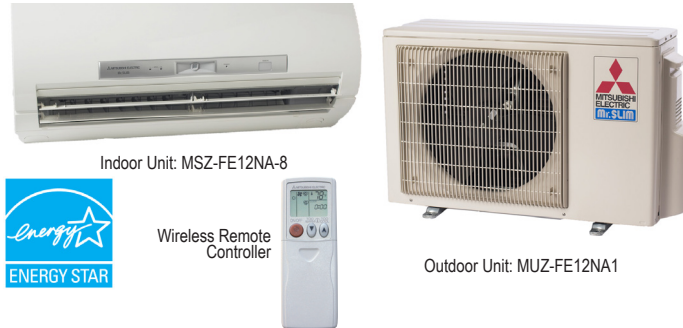


SUBMITTAL DATA: MSZ-FE12NA-8 & MUZ-FE12NA1
12,000 BTU/H WALL-MOUNTED HEAT PUMP SYSTEM

Job Name:	Location:	Date:
Purchaser:	Engineer:	
Submitted to:	For <input type="checkbox"/> Reference <input type="checkbox"/> Approval <input type="checkbox"/> Construction	
System Designation:	Schedule No.:	


GENERAL FEATURES

- Highly energy-efficient system that features 92% heating capacity at 5°F, 75% at -4°F, and 58% at -13°F
- Updated sleek, compact indoor unit design
- Includes Standard, Platinum Deodorizing, and Anti-allergy Enzyme filters for a complete air purifying system
- “Powerful Mode” function permits system to temporarily run at a lower/higher temperature with an increased fan speed, which quickly brings the room to the optimum comfort level
- Integrated i-see Sensor automatically adjusts the unit’s operation according to temperature differences detected between the floor and the intake air, ensuring optimum comfort and energy usage
- Hand-held Wireless Remote Controller
- Base heater is available as an option
- Limited warranty: five years parts and seven years compressors

ACCESSORIES
Outdoor Unit

- Base Heater (MAC-640BH-U)
- Drain Socket (MAC-851DS)

Indoor Unit

- Condensate Pump (SI3100-230; 230V)
- Replacement Platinum Deodorizing Filter (MAC-308FT)
- Replacement Anti-allergy Enzyme Filter (MAC-418FT; MERV 8)

Controller Options

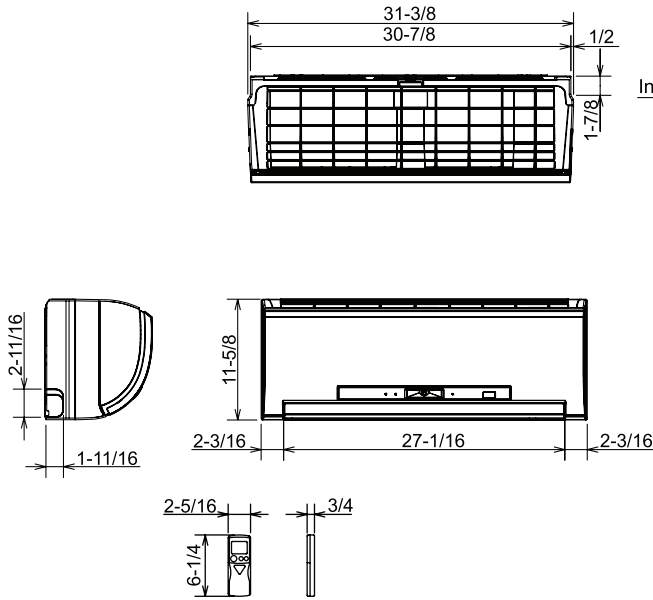
- Wireless Wall-mounted Remote Controller Kit (MHK1)*
 - Portable Central Controller (MCCH1)*
 - Outdoor Air Sensor (MOS1)*
 - Wired Wall-mounted Controller (PAR-31MAA requires MAC-333IF)*
 - Simple MA Remote Controller (PAC-YT53CRAU requires MAC-333IF)*
- *See Submittal for information on each option.
- System Control Interface (MAC-333IF)
 - Remote Temperature Sensor (M21-JKO-307)
 - Lockdown Bracket for Hand-held Controller (RCMKP1CB)



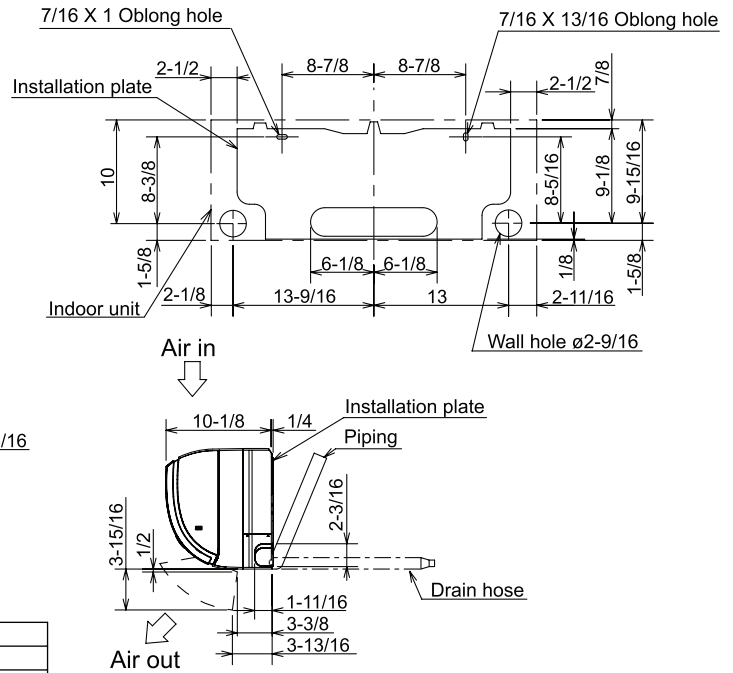
DIMENSIONS: MSZ-FE12NA-8 & MUZ-FE12NA1

MSZ-FE12NA-8

Unit: inch

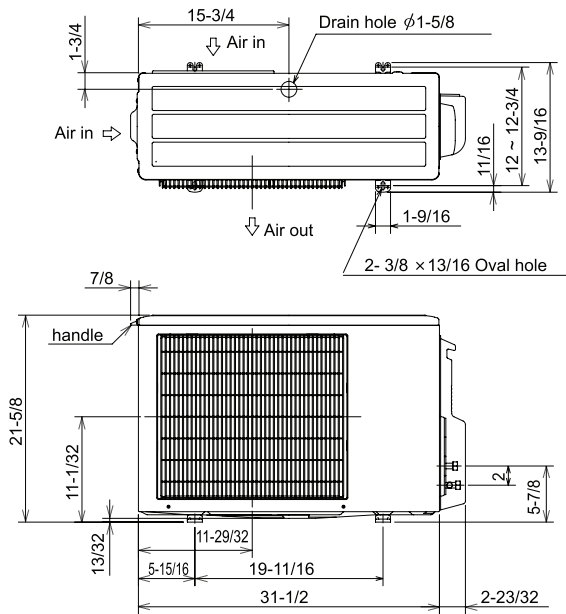


Insulation	ø1-3/8 O.D
Piping	
Liquid line	ø1/4 19-11/16 (Flared connection ø1/4)
Gas line	ø3/8 16-15/16 (Flared connection ø3/8)
Drain hose	Insulation ø1-1/8 O.D Connected part ø5/8 O.D

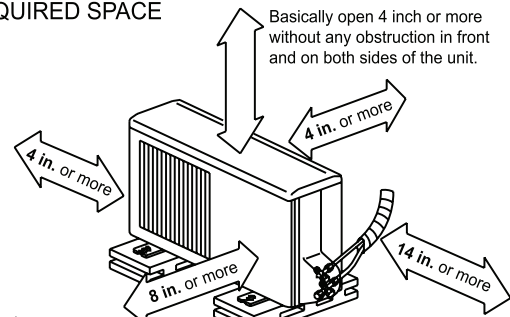


MUZ-FE12NA1

Unit: inch



REQUIRED SPACE



Open two sides of left, right, or rear side.

Liquid pipe : 1/4 (flared)
Gas pipe : 3/8 (flared)



Intertek



1340 Satellite Boulevard
Suwanee, GA 30024
Tele: 678-376-2900 • Fax: 800-889-9904
Toll Free: 800-433-4822
www.mehvac.com